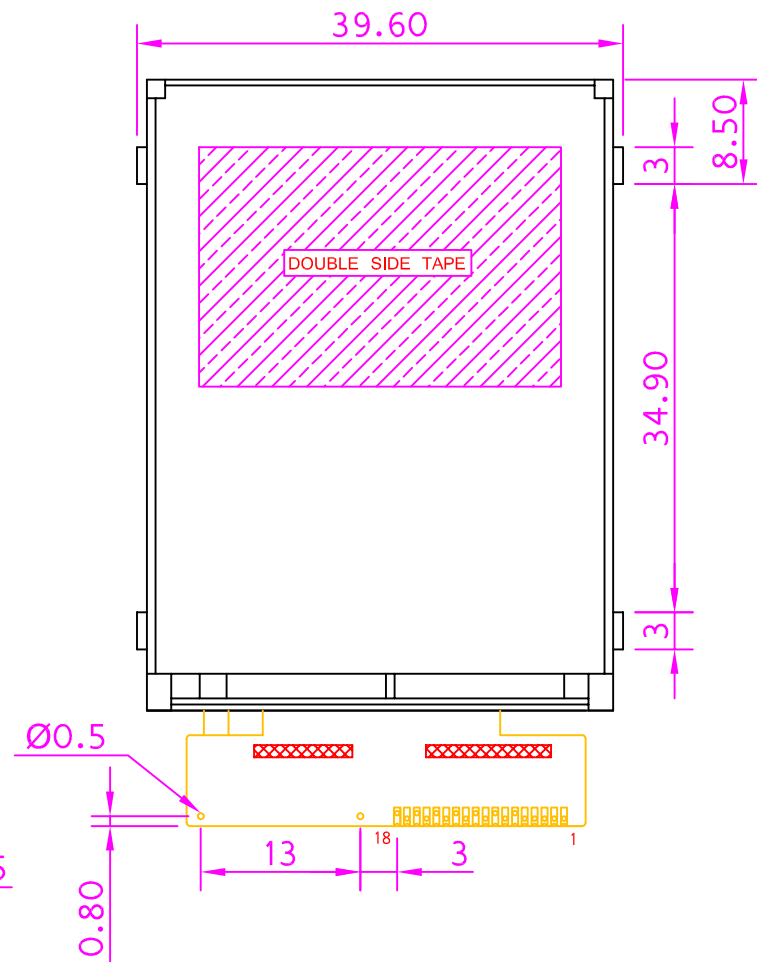
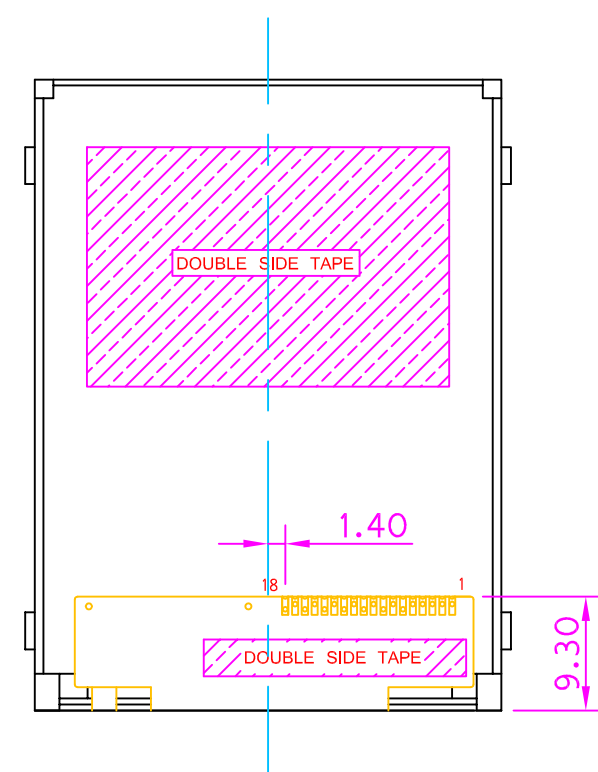


FRONT VIEW

SIDE VIEW



BACK VIEW

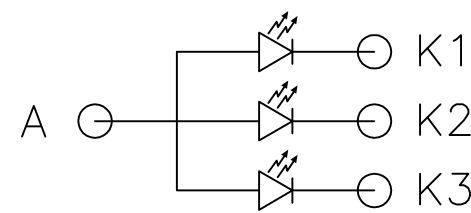


BACK VIEW

PIN FUNCTION	
PIN	SYMBOL
1	GND
2	LED-
3	LED+
4	GND
5	RST
6	RS
7	SDA
8	SCL
9	VCC (3.3V)
10	VCC (3.3V)
11	CS
12	GND
13	NC
14	NC
15	NC
16	NC
17	GND
18	GND

NOTE :

1. VIEWING DIRECTION 6 O'CLOCK
2. POLARIZER MODE : TRANSMISSIVE
3. OPERATING TEMP : -20°C~+70°C
4. STORAGE TEMP : -30°C~+80°C
5. CONNECTOR : COG+FPC
6. GENERAL TOLERANCE ±0.2



If=45mA (tpye)
 Vf=3.2 (max)
 (CIRCUIT DIAGRAM)

PART NO.- TL02001760220A

www.tinylcd.com