

A

A

B

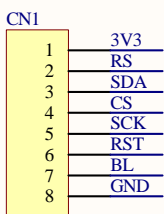
B

C

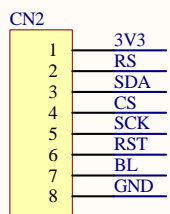
C

D

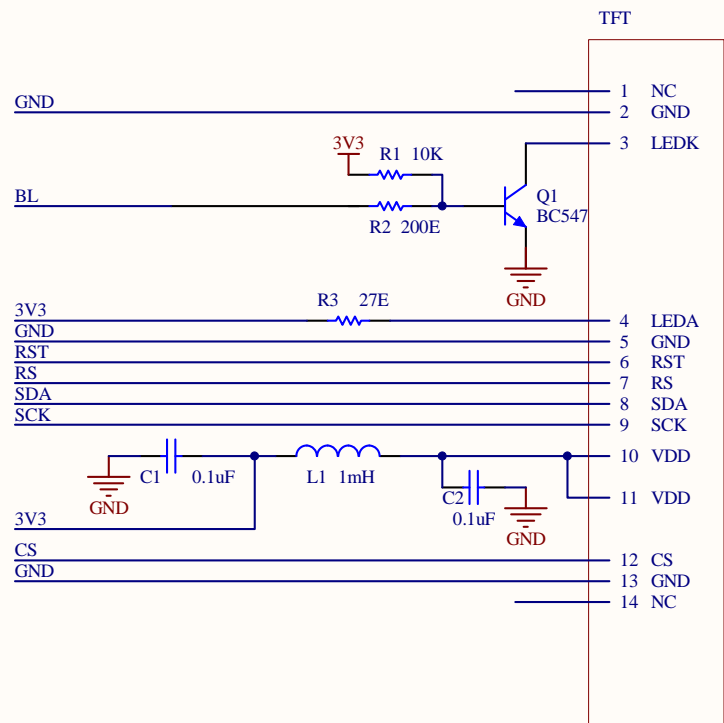
D



8 PIN FPC/FFC CONNECTOR



PADS FOR WIRES



Title			TL01801280160B		
Size	Number	Revision			
A	SR.NO.- 140820				
Date:	1/23/2015	Sheet 1 of 1			
File:	E:\Altpcb\...\TL01801280160B_sch.SchDoc		Drawn By: PHP		